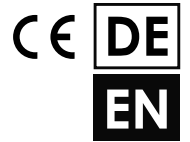
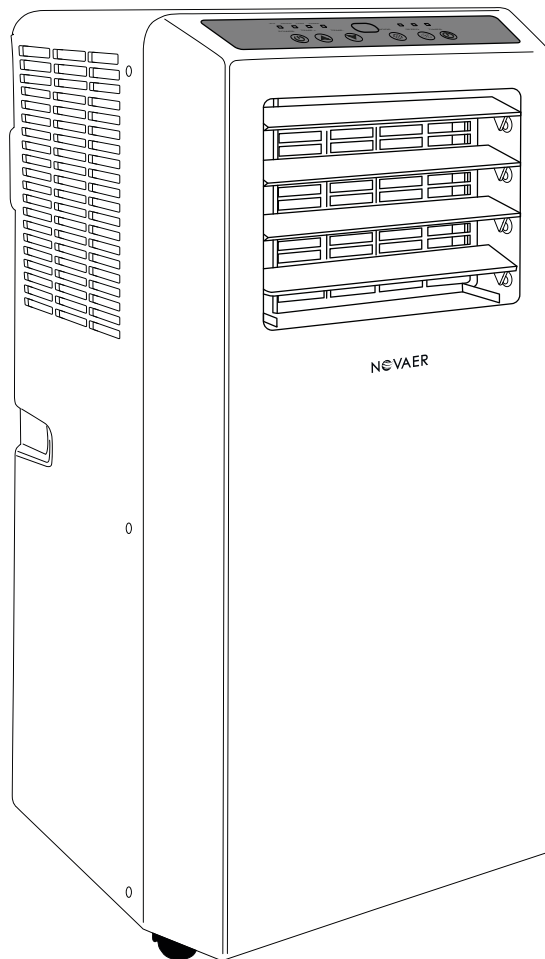


NOVAER



MOBILE AIR CONDITIONER K5 2.05 C00



INSTRUCTIONS

IMPORTANT

Please read all details of the user manual carefully before operating the portable air conditioner. Pay especially attention to the safety instructions; for avoiding accidents or damages. Keep the user manual in a safe place for product warranty and future reference.

We continuously improve the user manual and you can always find an updated version on the company's website or on the website of our distribution partners.



The portable air conditioner is filled with flammable gas R290



You must read the user manual before operating the portable air conditioner.



This product should be repaired by experts only, read the service manual for further information.

REFIGERANT R290

R290 is refrigerant grade propane, a natural refrigerant suitable for use in a range of refrigeration and air conditioning applications. The use of R290 is increasing due to its low environmental impact and excellent thermodynamic performance.

R290 is flammable and odorless. Under certain conditions, explosions can occur, the flammability of this refrigerant is very high, or the ignition energy required is very low (e.g. an electrical spark is sufficient).

WARNING!

Do not use any means to accelerate the defrosting process or to clean the portable air conditioner in other ways, other than those recommended by the manufacturer. If a repair is required, then you can contact your nearest authorized service partner of NOVAER. Repairs should only be executed by qualified professionals for avoiding accidents or damages.

The appliance shall be stored in a room without any continuously operating ignition sources (for example open flames, an operating gas appliance or an operating electric heater. Do not pierce or burn.

Be aware the refrigerants may not contain an odor. The appliance must be installed, operated and stored in a room with a floor area larger than 4 m². Be aware that refrigerants do not have any odor.

Please read the additional WARNING remarks carefully!

- This appliance contains 140 g (see rating label back of unit) of R290 refrigerant gas.
- R290 is a refrigerant gas that complies with the European directives on the environment. **Do not** puncture any part of the refrigerant circuit!
- If the appliance is installed, operated or stored in a non ventilated area, the room must be designed to prevent to the accumulation of refrigerant leaks resulting in a risk of fire or explosion due to ignition of the refrigerant caused by electric heaters, stoves, or other sources of ignition.
- The appliance must be stored in such a way as to prevent mechanical failure.
- Individuals who operate or work on the refrigerant circuit must have the appropriate certification issued by an accredited organization that ensures competence in handling refrigerants according to a specific evaluation recognized by associations in the industry.
- Repairs must be performed based on the recommendation from the manufacturing company. Maintenance and repairs that require the assistance of other qualified personnel must be performed under the supervision of an individual specified in the use of flammable refrigerants.
- **Never insert any objects into the air conditioner! This is very dangerous as the fan rotates on high speed. High risk of injury!**
- **Never cover the air intake and the air output areas of the portable air conditioner! The air must circulate freely around the unit without any possibility of blockage.**
- **The appliance must stand on a flat and stable surface so that water leakages can be avoided. Please ensure a minimum distance of 50 cm away from the wall or any other obstacles!**

- **The unit is equipped with a compressor overload protection system, whereby the compressor only starts once 3 minutes have elapsed from its previous stoppage.**
- **Please wait at least 3 minutes before starting the unit. This helps to prevent the compressor from being damaged.**
- **If the product seems to have problems, turn the appliance off and unplug the unit from the socket. Never try to fix the product on your own and contact either the manufacturer or the service partner for technical support.**
- **Sunlight can discolor the materials and cause overheating of the appliance hence it must be avoided.**
- **Do not use insecticides, aggressive chemical detergents, oils, other detergents or spray paints close to the air conditioner as it can damage the finish and the colour of the casing.**
- **For optimal operation efficiency it is recommended to close all windows.**
- **THE MANUFACTURER SHALL NOT BE LIABLE IF THE SAFETY AND ACCIDENT PREVENTION RULES ARE NOT OBSERVED.**

OPERATING AND SAFETY INSTRUCTIONS

- The appliance is for indoor use only.
- Only use the air-conditioner as shown in this user manual.
- Do not use the unit on a socket under repairs or not installed properly! Connection to the electricity grid must be according to the current installation standards.
- The appliance must be installed in accordance with national wiring regulations. The power source must match the required voltage and frequency (220-240 V/50 Hz)
- Rating of fuse: T, 250V AC, 2A. The electricity passing through the fuse is not allowed to be above 2A.
- Ensure that the electricity system is able to deliver the operating current required by the air conditioner, in addition to that normally absorbed by other appliances (household appliances, lighting system, etc.). Please refer to the maximum power input data indicated on the air conditioner's data plate.
- Ensure that the automatic switches and system protection valves are able to withstand a start-up current of 5A (normally for less than 1 second).

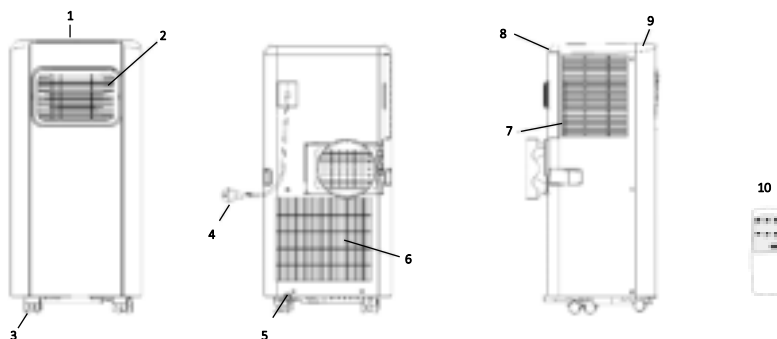
- The system socket must always be fitted with an efficient earth connection.
- Make sure that the plug is inserted correctly and do not use multiple adapters and ensure the plug is clean.
- **Never touch the plug with wet hands!**
- Do not operate or stop the unit by inserting or pulling out the power plug, it may cause electric shock or fire due to heat generation. Instead you the ON/OFF button on the remote control or on the control panel.
- Do not use the unit:
 - Near to source of fire.
 - In an area where oil is likely to splash.
 - In an area exposed to direct sunlight.
 - In an area where water is likely to splash.
 - Near a bath, a laundry, a shower or a swimming pool.
- Before cleaning the air-conditioner, always turn off or disconnect the power supply.
- When moving the air-conditioner, always turn off and disconnect the power supply, and move it slowly.
- Turn the unit OFF either on the display or on the remote control, then remove the plug from the socket. Only pull the plug but not the cord!
- In case the cord or the plug shows any sign of damage then stop the usage immediately. It must be replaced by a qualified person or by the manufacturer only for avoiding safety risks.
- Do not leave the air-conditioner unattended while it is operating. Turn it off and unplug it.
- When using the drainage hose, the ambient temperature should not be lower than 0 °C as this could cause water leakage to the air-conditioner.

SPECIAL ATTENTION FOR CHILDREN

- Never insert your fingers, rods into the air outlet. Take special care to warn children of these dangers.
- Children should be supervised to ensure that they do not play with the appliance.
- This appliance can be used by children aged from 8 years and above and persons

with reduced physical, sensory or mental capabilities or lack of experience and knowledge if they have been given supervision or instruction concerning use of the appliance in a safe way and understand the hazards involved. Children shall not play with the appliance. Cleaning and user maintenance shall not be made by children without supervision.

DESCRIPTION OF THE APPLIANCE



1 USER PANEL

2 HORIZONTAL FINS AND AIR INTAKE

3 WHEELS

4 POWER CORD

5 DRAIN HOLE

6 AIR INPUT AND REAR REMOVABLE FILTER

7 AIR INPUT

8 REAR PANEL

9 FRONT PANEL

10 REMOTE CONTROL

Min/max operating limits (internal temperature)

Cooling: 18 °C DB / 35 °C DB

Dehumidification: 18 °C DB / 35 °C DB

Cooling mode room temperature adjustment range: 16 °C DB / 31 °C DB

PORTABLE AIR CONDITIONER SETUP

The following parts are included in this packaging. Please take them all out of the packaging.

PART	DESCRIPTION
	Portable Air Conditioner Unit
	Hot Air Hose
	Hose Connector (Window End)
	Hose Connector (Air Conditioner End)
	Window Kit
	Remote Control

The product must be placed on a flat and stable surface, should not be covered by any object and must have a minimum distance of 50 cm from walls or any other obstacles. Please ensure the air can circulate freely.

REMOTE CONTROL

Please insert two type AAA batteries into the remote control.



1. SPEED

This button regulates the ventilation speed which can only be used in fan and in the cooling mode. Press this button to adjust to either higher or lower speed.

2. INCREASE TEMPERATURE

Press this button for increasing the temperature in the cooling mode.

3. SELECT MODE

Press this button for selecting between the different modes: cooling, fan and dehumidifying.

4. DECREASE TEMPERATURE

Press this button for decreasing the temperature in the cooling mode.

5. TIMER

ON/OFF time can be regulated at any time in 0-24 hours.

Timer ON setting: When the air-conditioner is OFF, press the “Timer” button and select a desired ON time through the temperature and time setting buttons. “Preset ON Time” is displayed on the operation panel.

Timer OFF setting: When the air-conditioner ON, press “Timer” button and select a desired OFF time through the temperature and time setting buttons. “Preset OFF Time” is displayed on the operation panel.

6. ON/OFF BUTTON

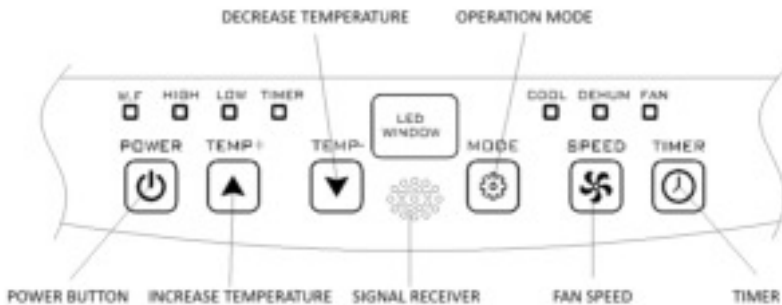
Use this button for tuning the unit ON or OFF.

INFORMATION FOR CORRECT DISPOSAL OF THE BATTERIES PURSUANT TO EUROPEAN DIRECTIVE 2006/66/EC



Replace the batteries when depleted. At the end of their working life, batteries must be disposed of separately from unsorted waste. They must be delivered to appropriate separated waste disposal plants or to dealers that provide a similar service. Separate waste disposal of batteries prevents potential negative effects on the environment and human health resulting from inadequate disposal, and also allows the materials from which it is made to be recovered and recycled in order to achieve significant savings in terms of energy and resources. The separate disposal obligation is underlined by the crossed-out dustbin symbol appearing on the battery. Illegal disposal of the product by the user is subject to administrative penalties as per current regulations.

USER PANEL



STEP 1



Slide the Hose Connector (Air Conditioner End) into the grooves.

STEP 2



Connect the flat fitting (Hose Connector Window End) to the hose, extend the hose as far as needed for taking it outside. Connect the other end with the air conditioner.

IMPORTANT NOTICE FOR WINDOW KIT INSTALLATION

- In order to make a hole in the glass (if required) it is advisable to bring the window kit to the glazier as well.
- Insert the Hose Connector (Window End) onto the Hot Air Hose.
- Connect the other end of the Hot Air Hose with the appliance Hose Connector (Air Conditioner End)
- Avoid curving of the Hot Air Hose. It is recommended to be minimum 40 cm above the ground.
- If you do not use the air conditioner then you can close the hole with the Window Kit.
- Connect the power cord with the suitable electrical socket (220 – 240 V). After inserting 2 batteries in the remote control you can either turn on the appliance using remote control or directly by the user panel.

OPERATING MODES

Ensure that the Hot Air Hose has been mounted properly. When using functions on cooling and dehumidifying, keep an interval of at least 3 minutes between each POWER.

	Maximum cooling	Minimum cooling
DB/WB(°C)	35/24	18/12

Cooling Mode

- Press the “Mode” button till the “Cool” LED icon appears.
- Press the “▲” or “▼” temperature button to select a desired room temperature between 16°C and 31°C
- Press the “Fan Speed” button to select wind speed.

Dehumidifying Mode

- Press the “Mode” button till the “Dehumidify” LED icon appears.
- Automatically set the selected temperature to room temperature minus 2°C.
- The fan speed cannot be adjusted in this mode and is automatically set to LOW wind speed.

Note

When using the dehumidifying mode, no Hot Air Hose needs to be connected to the unit. The dehumidifying mode is recommended for the autumn or winter season. If you plan to use the dehumidifying mode in the summer it is recommended to add the Hot Air Hose for discharging the hot air to the outside.

Fan Mode

- Press the “Mode” button till the “Fan” LED icon appears.
- Press the “Fan Speed” button to select wind speed.
- In this mode the temperature cannot be adjusted.

Internal Tank Water Full Alarm Function

The inner water tank in the air-conditioner has one water level safety switches, it controls water level. When water level reaches an anticipated height, the water full indicator lamp lights up. (If water pump is damaged, when the water is full, please remove the rubber blockage at the bottom of unit, and all water will drain outside.)

Continuous Drainage

- When you plan to leave this unit unused for a long time, please remove the rubber blockage from the drainage hole at the bottom of unit, and connect a drain hose to the lower fixing clip. All the water in the water tank will drain outside.
- If water pump is damaged, continuous drainage can be used, and under this condition, the water pump is not activated. The unit can also work well.
- If water pump is damaged, intermittent drainage can also be used. Under this condition, when the water full indicator lamp lights up, please connect a drain hose to the lower fixing clip, then all the water in the water tank will drain outside. The unit can also work well.

TROUBLE SHOOTING

ISSUES	POSSIBLE CAUSES	SUGGESTED SOLUTIONS
UNIT DOES NOT START WHEN PRESSING POWER BUTTON	Water full indicator lamp blinks, and water tank is full.	Dump the water out of the water tank.
	Room temperature is higher than the setting temperature. (Electric heating mode)	Reset the temperature
	Room temperature is lower than the setting temperature. (Cooling mode)	Reset the temperature
NOT COOL ENOUGH	The doors or windows are not closed.	Make sure all the windows and doors are closed.
	There are heat sources inside the room.	Remove the heat sources if possible
	Exhaust air hose is not connected or blocked.	Connect or clean the exhaust air hose.
	Temperature setting is too high.	Reset the temperature
	Air inlet is blocked.	Clean the air inlet.

NOISY	The ground is not level or not flat enough	Place the unit on a flat, level ground if possible
	The sound comes from the flowing of the refrigerant inside the air conditioner	It is normal.
E0 CODE	Room temperature sensor failed	Replace room temperature sensor (the unit can also work without replacement.)
E2 CODE	Water tank full	Please empty the water tank.

CARE & MAINTENANCE

Before any cleaning or maintenance: unplug the air-conditioner from the power socket.

- Do not use gasoline or other chemicals to clean the unit;
- Do not wash the unit directly;
- If the conditioner is damaged, please contact the dealer or repair shop.

1. Cleaning of Air Filter

If the air filter becomes clogged with dust/dirt, the air filter must be cleaned at least once every two weeks. If you do not clean the air filter it will lower the performance of the appliance or cause serious damage to the unit.

Remove the air filter by opening the air inlet (Air Input and Rear Removable Filter) and take off the air filter.

- Use a vacuum cleaner on low level for cleaning the dust/dirt or
- Use a neutral detergent (if needed) in lukewarm water and rinse it with clear water afterwards. Let the air filter dry before putting it back to the unit.

2. Cleaning of Casing

First clean the surface with soft damp cloth, and then wipe it with a dry cloth. Do not use aggressive detergents, hot water, patrol or any other chemicals, hard brushes for cleaning the surface as this will damage the material of the unit. Neutral detergents or lukewarm water can be used to remove dirt. Never pour water over the unit as this will cause damages or even short circuits.

3. Storage and Transport

Always clean the unit before storing it away. Keep the appliance upward in a vertical while transport and storage, so that the compressor stays in the correct position. Never place any heavy objects on the air conditioner. You can cover the unit (for storage and transportation only) to avoid pollution of the appliance.

Please check the appliance regularly and if you notice any damage then contact the distributor directly.

REGULATION (EU) No. 517/2014 - F-GAS

Regulation 517/2014 does not apply to refrigerant R290 -propane.

For safety reasons, do not discharge propane into the environment.

Kg. 0.16 = 0.00048 Ton CO2 equiv

INFORMATION FOR THE CORRECT DISPOSAL OF THE PRODUCT IN ACCORDANCE WITH EUROPEAN DIRECTIVE 2012/19/EU



This appliance may not be scrapped with domestic waste at the end of its life cycle. We call your attention to the crucial role played by the consumer in the re-use, recycling and other forms of recovery of such waste. The appliance must be scrapped by a sorted waste disposal center or by returning it to the retailer (no charge is levied for this service), when you purchase a new equivalent appliance. Sorted disposal of electric and electronic equipment prevents the negative effects on the environment and human health resulting from improper scrapping, and also allows the materials from which it is made to be recovered and recycled, with significant savings in terms of energy and resources. The sorted disposal requirement is indicated by the crossed waste bin label affixed to the appliance.

CONTACT

If you have questions about the appliance you can always get in touch with NOVAER or

the distributor in your country. The contact details of NOVAER can be seen below. For contacting the distributor, you can visit their website for further details.

NOVAER Asia Pacific Ltd.

Postfach 1452
82035 Deisenhofen
Germany

info@novaer.de